



Thyristor speed controller CDT E1.8

Use

- For switching fans on/off and for speed control of single-phase frequency controlled motors. For ventilation systems in various premises.

Design

- The casing is made of high-quality plastic.
- Mounting junction box for wall flush mounting.
- IP40 ingress protection rating.

Control

- Switching on/off by the control knob.
- Smooth speed control from minimum to maximum value. Minimum speed is set by a variable resistor on the control panel.
- Several fans can be controlled from one unit provided that the total current consumption does not exceed the permissible controller current.
- High efficiency and control accuracy.

Protection

- Input circuit protected with a thermal fuse.
- Equipped with a transient filter.

Mounting

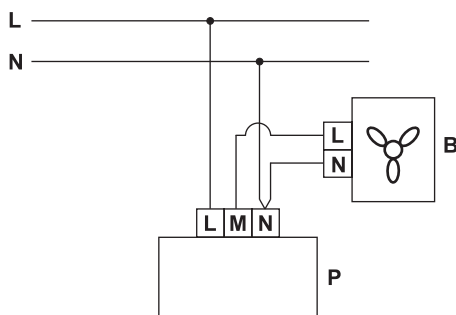
- Indoor wall flush mounting in a mounting box.
- Suitable for installation in standard electric junction boxes.

Options

- Mounting box EDR-E for wall surface mounting available upon separate order.



Wiring diagram



Specifications

Parameters	CDT E1.8
Voltage, 50/60 Hz [V]	1 ~ 230
Rated current [A]	1.8
Overall dimensions AxBxC [mm]	80x80x63
Max. operating temperature [°C]	35
Ingress Protection	IP40
Weight [kg]	0.11